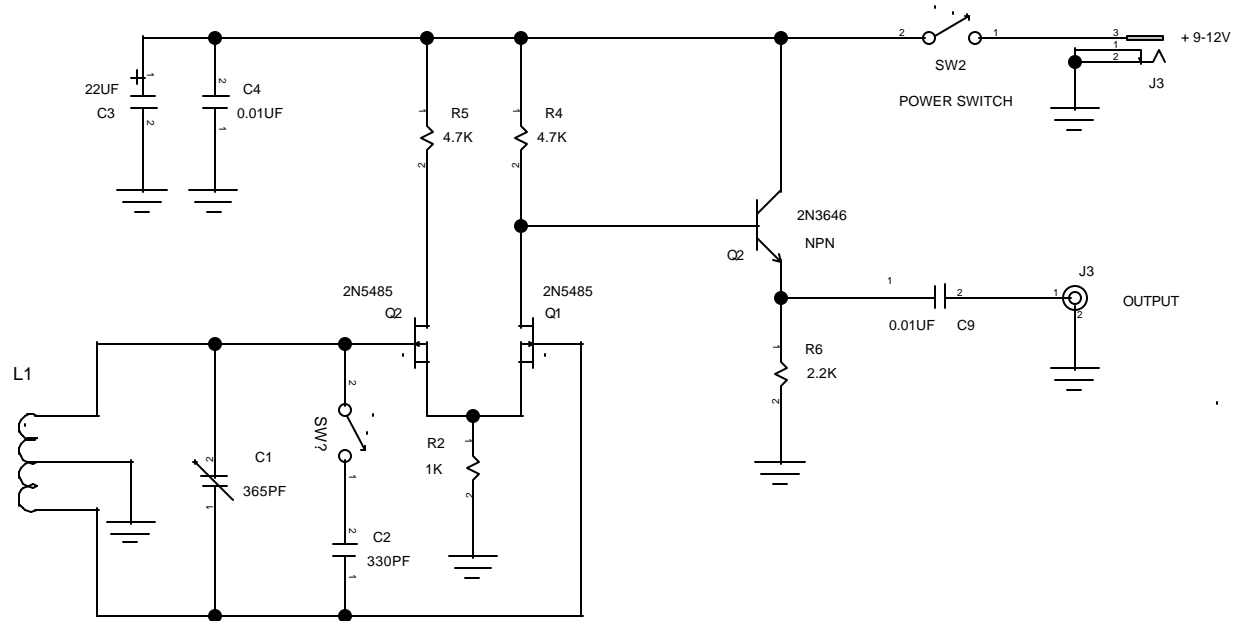


Preamplifier/Loop Antenna Amplifier



Balanced box loop antenna

L1 is the coil of the box loop antenna. For a 4 foot square box loop, 8-10 turns with a 1" turn to turn spacing would be a good starting point. Adjust number of turns a good starting point for a broadcast band antenna. Adjust number of turns so that antenna resonates at top of desired frequency range with minimum setting of C1 with SW1 opened. For proper balance, the loop must have an even number of turns

Q1 and Q2 can be a number of different N-Channel FET's, including: 2N5485, 2N3819, U309, U310, but should be a matched pair.

KRS

Balanced Loop Amplifier