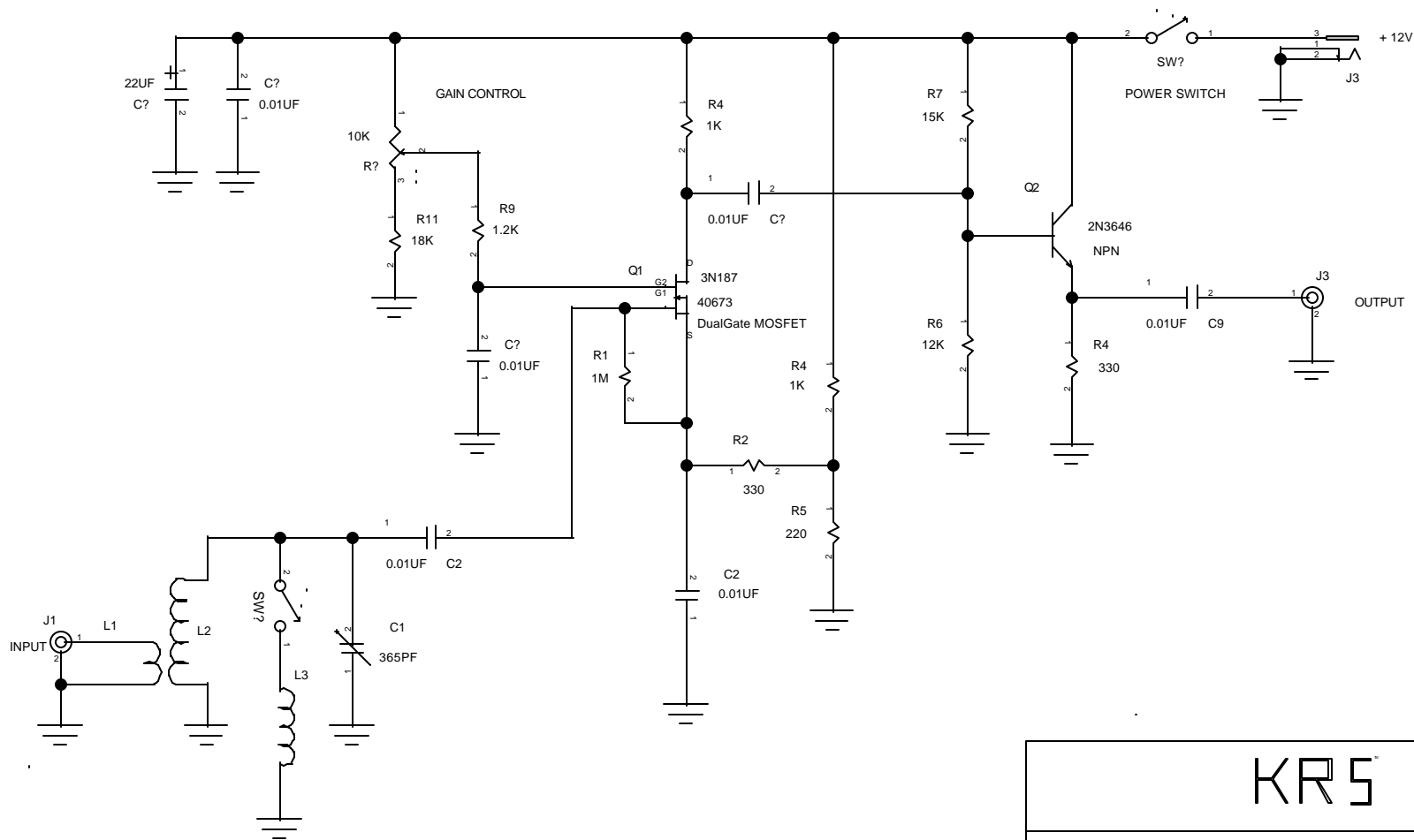


# Preamplifier/Loop Antenna Amplifier



Wind L2 and L3 as needed for desired tuning ranges.

KRS

## Dual Gate MOSFET Preamplifier