

# Preamplifier/Loop Antenna Amplifier

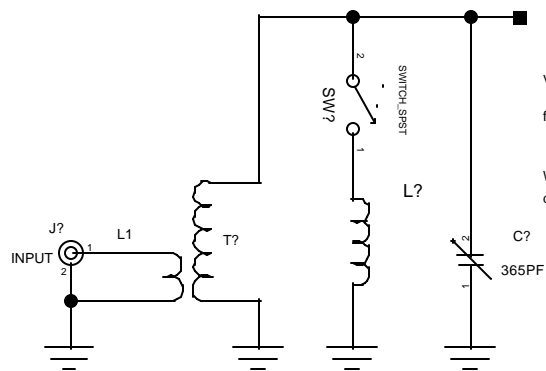
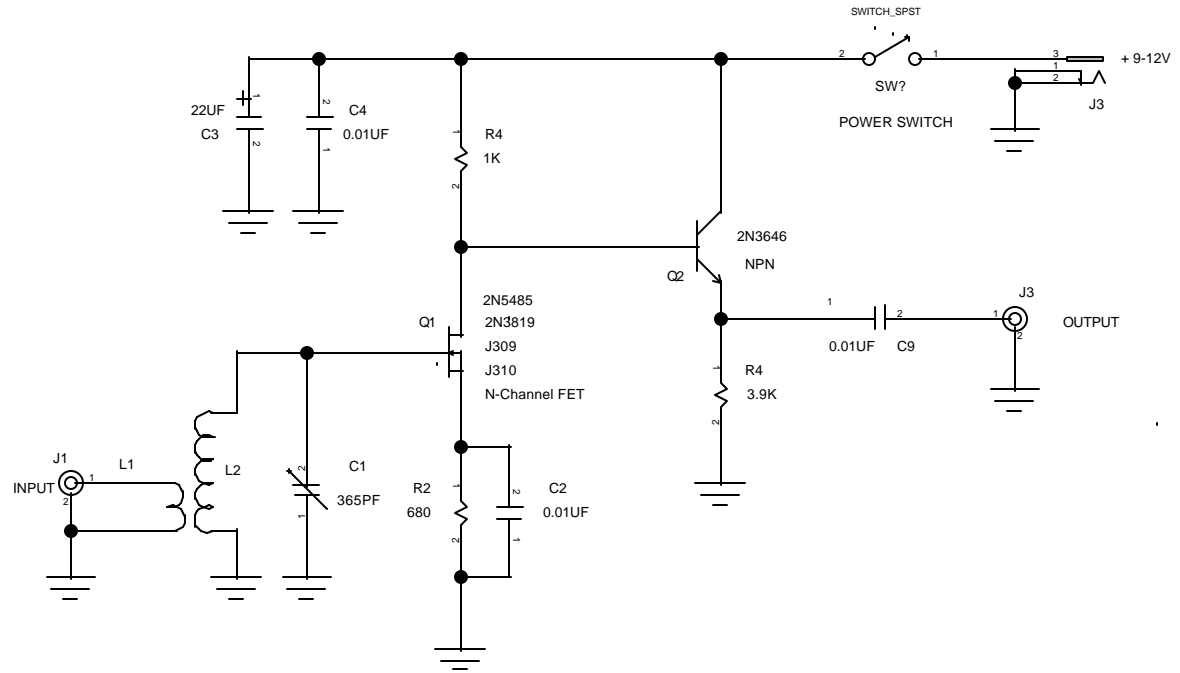
For use as a loop antenna amplifier:

Delete L1 winding. L2 winding is the coil of the box loop antenna. For a 4 foot square box loop, 8-10 turns with a 1" turn to turn spacing would be a good starting point. Adjust number of turns a good starting point for a broadcast band antenna. Adjust number of turns so that antenna resonates at top of desired frequency range with minimum setting of C1. It may be necessary to add additional capacitance in parallel with C1, switched in or out, to reach bottom of desired freq range.

For 5.5 MHz to 22 MHz,

Wind L2 coil with 15 turns of # 26 ga wire on 5/8" wooden dowel or pill bottle. L1 is 2 turns on top of L2.

Add more turns to L2 for lower min and max frequencies.



Variation for two different frequency ranges

Wind L2 and L3 as required to obtain desired frequency ranges.

## KRS

### Preamp/Loop Amp

2-8-2002\_21:45
DRAWN BY: FET\_PRE
1