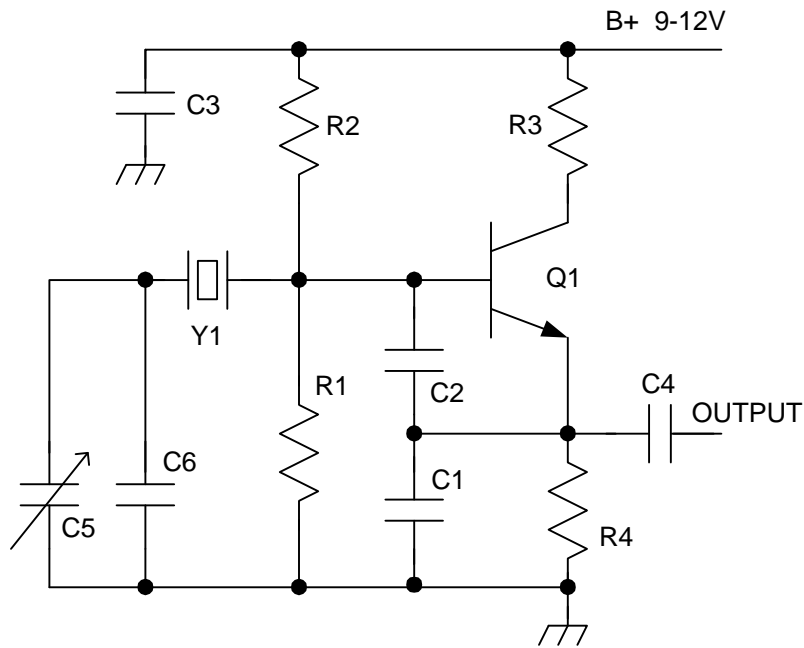


- R1, R2 100K
- R3 2.2K
- R4 4.7K

- C1 220 pF
- C2 470 pF
- C3 0.005 uF
- C4 47 pF
- C5 7-35 pF variable
- C6 padder as required

- Q1 2N3565

- Y1 455 kHz crystal



KRS Crystal Oscillator/BFO